

**OF**

**ONE FINGER  
GRIPPERS**



Versatile and flexible fingers



# OFR series

ONE FINGER ANGULAR PNEUMATIC GRIPPERS FOR CLAMPING



Catalogue

- > Single acting.
- > Now with blue pads in non-marking HNBR.
- > Pad contact temperature up to 150°C.
- > Non textured pad surface.
- > Sensor detection.
- > Optional magnetic sensors.



### SENSORS

In the ...S versions, the sensors are embedded in their slots. In the other versions, an external bracket (SWP..) is required.

# OFX series

ONE FINGER PERPENDICULAR PNEUMATIC GRIPPERS FOR CLAMPING



Catalogue

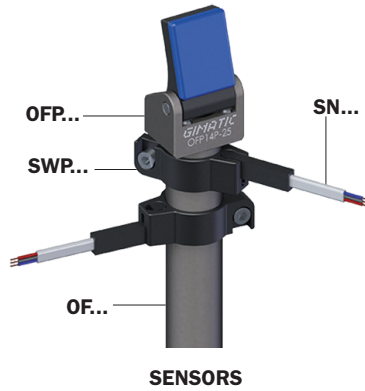


### SENSORS

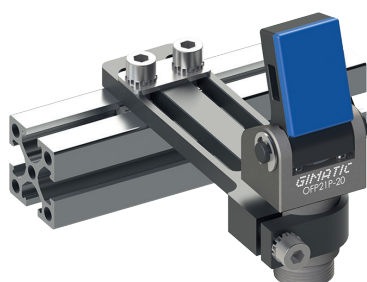
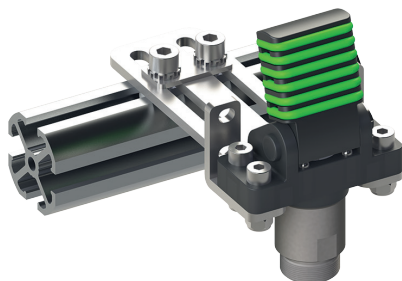
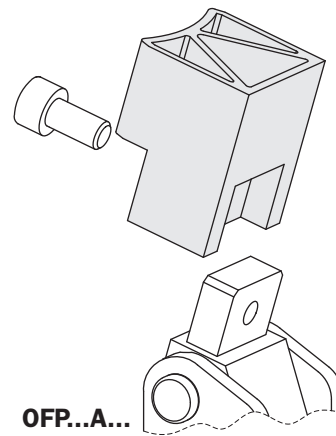
- > Finger linear motion, perpendicular to the piston.
- > Finger with through hole, to provide vacuum to a cup.
- > Removable HNBR rubber pad on the finger, for a soft touch.
- > Optional sensors and clamps.

# OFP series

## ONE FINGER ANGULAR PNEUMATIC GRIPPERS FOR CLAMPING



- > Single acting.
- > Several mounting accessories.
- > Soft contact by HNBR pads or O-Rings in NBR, Silicone or Viton.
- > Magnetic sensors and relevant mounting brackets as option.



### Custom service

Custom fingers can be ordered from Gimatic's 3D Printing Service.



Via Enzo Ferrari, 2/4  
25030 Roncadelle (BS) ITALY

tel. +39 030 2584655  
fax +39 030 2583886

info@gimatic.com  
www.gimatic.com



Sales Network